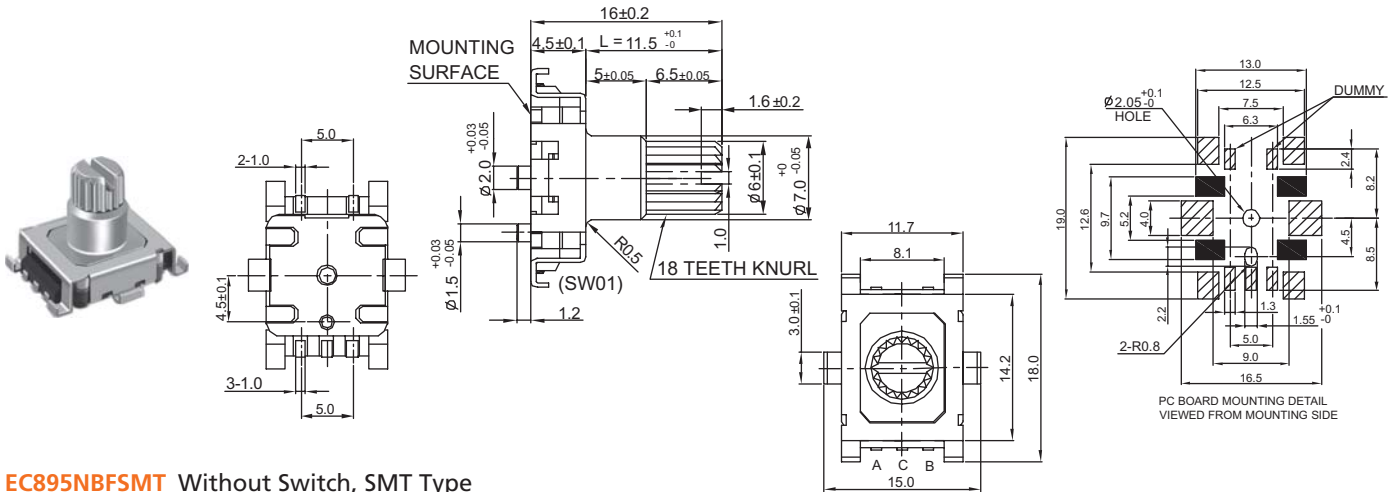


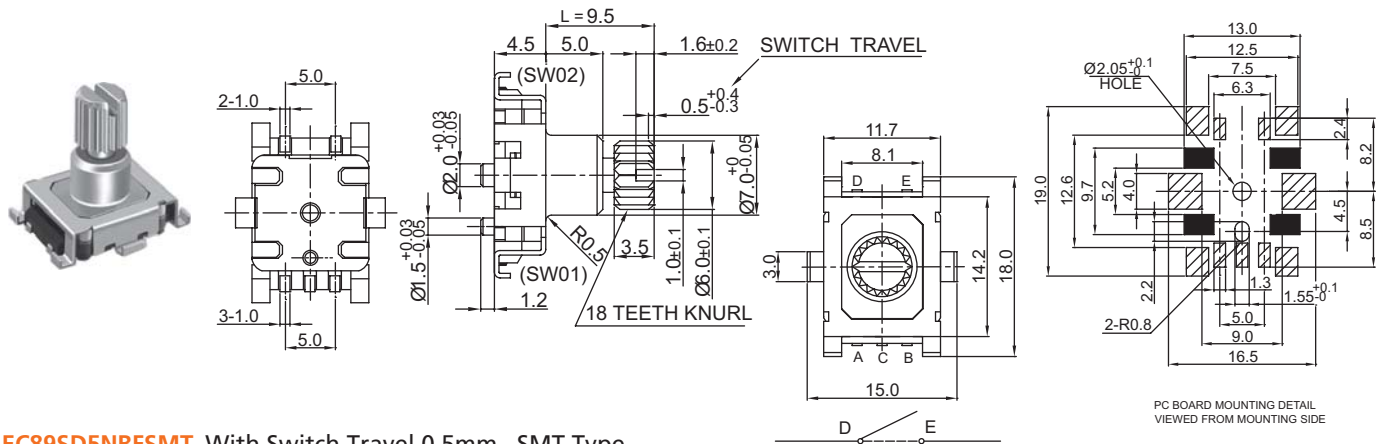
Encoders

11 mm Slim Type Encoders

EC89 Series



EC895NBFSMT_Without Switch, SMT Type



EC895D5NBFSMT_With Switch Travel 0.5mm, SMT Type

How to order:

EC89

1 SWITCH FUNCTION:

- S With Switch
- blank Without Switch

2 SWITCH TRAVEL (EC895 only)

Code	Travel
D	Switch Travel 0.5
E	Switch Travel 1.5

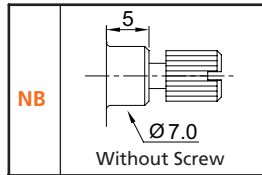
3 TYPE OF ENCODER :

- blank Vertical SMT

Code	Terminals
V	Vertical P.C.B.

- 4 LENGTH OF BUSHING :**
- 5 5mm (Standard)

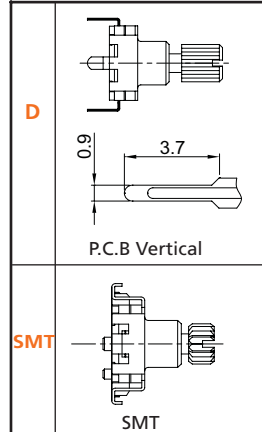
5 TYPE OF BUSHING:



6 FRAME

- F With Frame

7 TYPE OF TERMINALS:



8 LENGTH OF SHAFT (L) :

- ... See drawings

9 TYPE OF SHAFT:

Code	Shaft
K	

10 OUTPUT PULSE & DETENT:

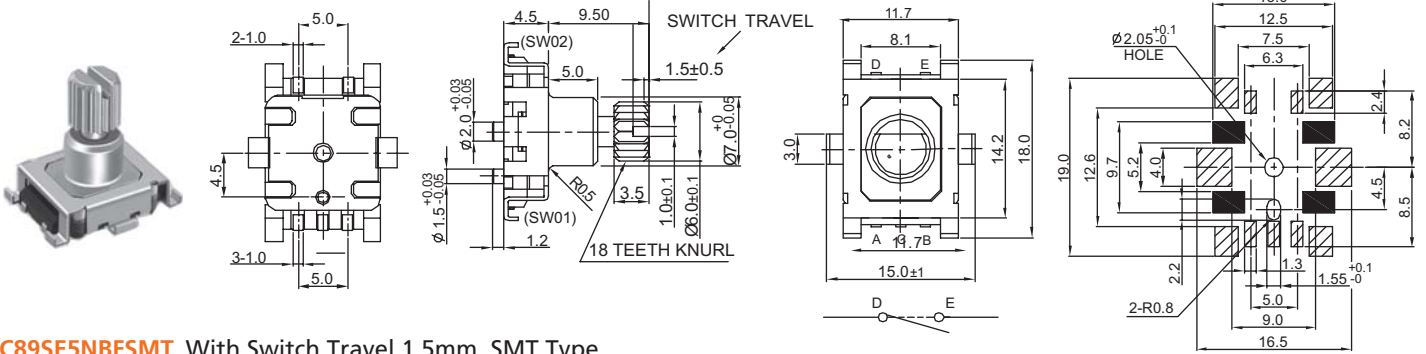
- 15P30C 15 Pulse 30 Deten
- 15P 15 Pulse none Deten

All specifications are restricted to QA test criteria. DRW: D.L. JIN, CHK: D.F. LEE, APP: H.Z. QIU

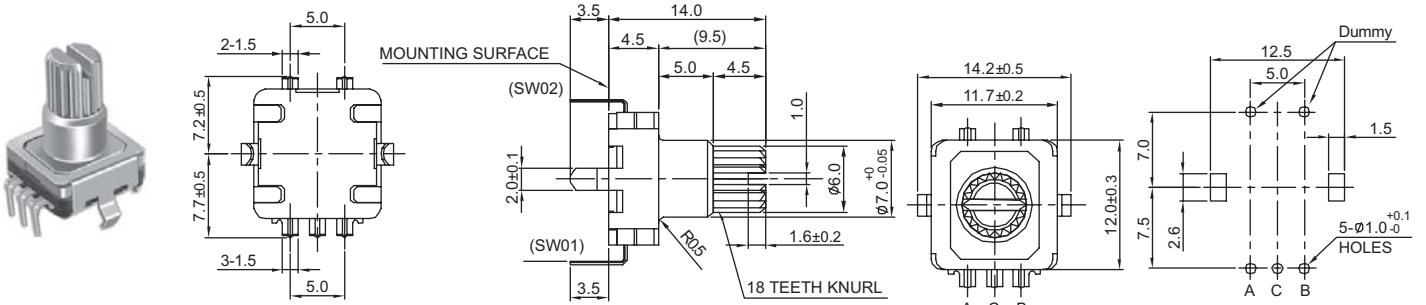
Encoders

11 mm Slim Type Encoders

EC89 Series

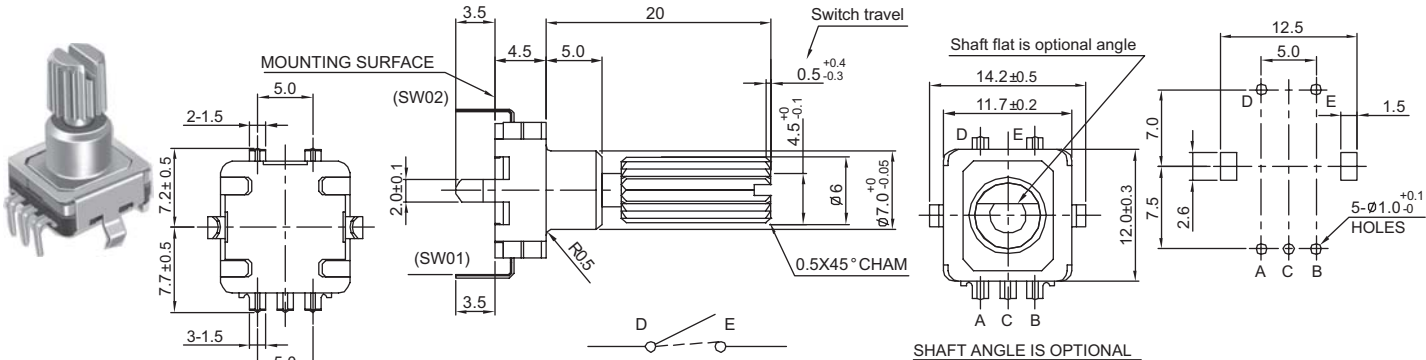


EC89SE5NBFSMT_ With Switch Travel 1.5mm, SMT Type



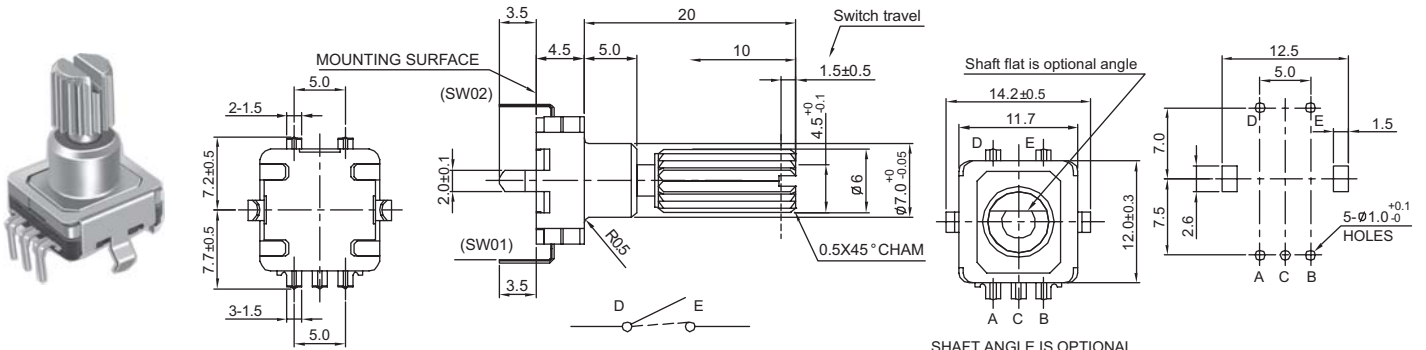
EC89V5NBF D_ Without Switch, P.C.B Type

SHAFT ANGLE IS OPTIONAL



EC89SDV5NBF D_ With Switch Travel 0.5mm, P.C.B Type

SHAFT ANGLE IS OPTIONAL



EC89SEV5NBF D_ With Switch Travel 1.5mm, P.C.B Type

SHAFT ANGLE IS OPTIONAL

Products Specifications

Pulse	Number of detent	Phase difference (msec)	Chattering (msec)	Sliding noise (msec)	Insulation resistance	Dielectric strength	Detent torque (gf·cm)	Rotational life (cycle)
15	30	6 min.	2 max.	2 max.	250V DC 100MΩ MIN	300V AC 1 min	100±70	15,000

Switch Specifications

Rating	Contact resistance	Insulation resistance	Dielectric strength	Contact arrangement	Travel of switch (mm)	Operating force (gf)	Operating life (cycle)
DC 5V	100mΩ	250V DC 100MΩ MIN	300V AC 1 min	PUSH ON	0.5	300±100	20,000
					1.5	400±200	