

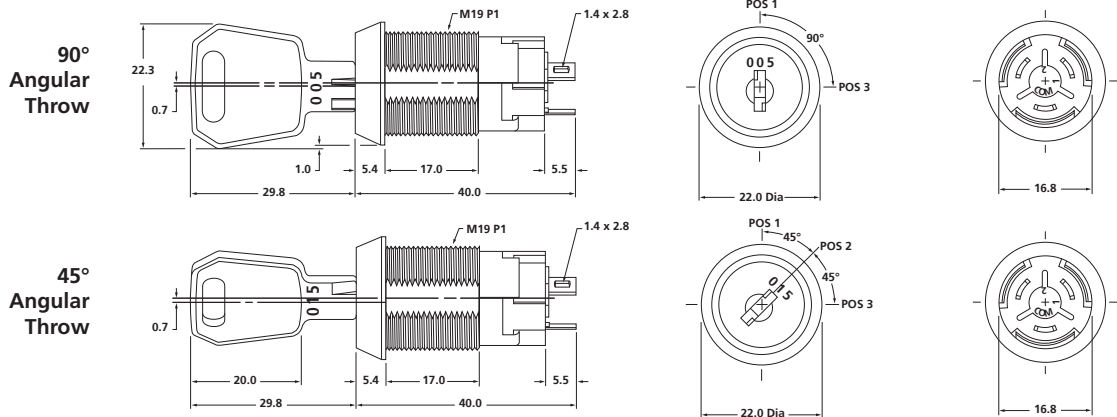
# Keylock Switches

## High Security Keylock Switches with Ø19mm Bushing

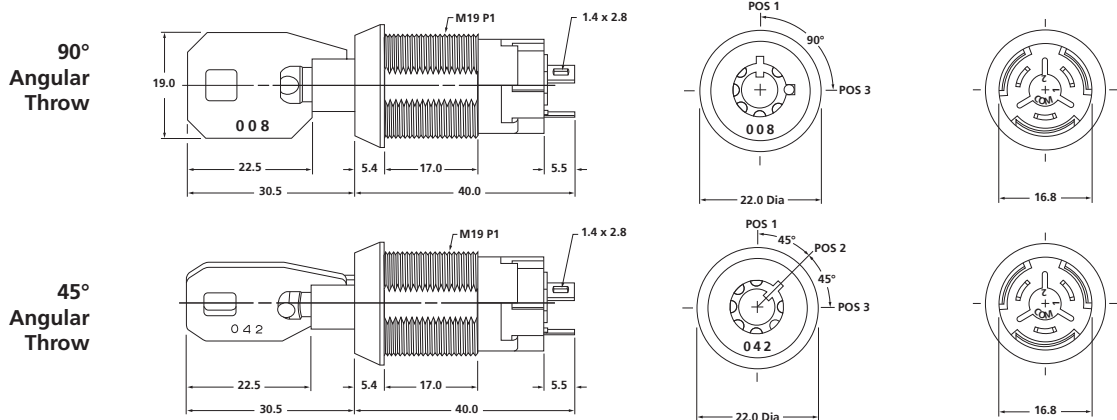
## CKL Series



**CKL12AFW01**  
Flat Key



**CKL13ETW01**  
Tubular Key

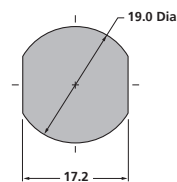


### POLES, CIRCUITS & KEY-REMOVABLE POSITIONS

Pole & Throw	Model	Key Positions			Connected Terminals			Schematic	⊙ = Key Removable • = Not Removable ∨ = Maximum Arc
		Pos 1	Pos 2	Pos 3	Pos 1	Pos 2	Pos 3		
SPDT	CKL12A	ON	NONE	ON	COM-1	-	COM-2		 POS 1 3
SPDT	CKL12B	ON	NONE	ON	COM-1	-	COM-2		 POS 1 3
SPDT	CKL13E	ON	OFF	ON	COM-1	OPEN	COM-2		 POS 1 2 3

### PANEL

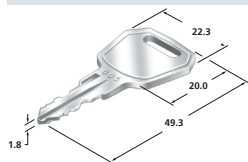
### CUTAWAY



Max. Effective Panel Thickness: 12.6mm



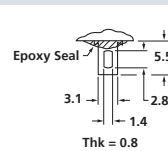
### FLAT KEY



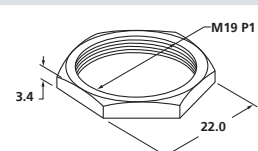
### TUBULAR KEY



### SOLDER LUG TERMINAL



### HARDWARE



## How to order:

CKL

- 1** POLES:  
1 SPDT
- 2** CIRCUITS & KEY REMOVE:  
2A ON-NONE-ON Pos 1 & 3  
2B ON-NONE-ON Pos 1  
3E ON-OFF-ON Pos 2
- 3** KEYS:  
F Flat  
T Tubular
- 4** CONTACT MATERIAL:  
W Silver, Rated 3A @ 250V AC
- 5** TERMINALS:  
01 Solder Lug

## General Specifications:

- ELECTRICAL CAPACITY (Resistive Load)**  
 » Power Level: 3A @ 250 V AC  
**OTHER RATINGS:**  
 » Contact Resistance: 20mΩ max.  
 » Insulation Resistance: 1,000MΩ min. @500VDC  
 » Mechanical Life: 30,000 cycles min.  
 » Electrical Life: 10,000 cycles min.  
 » Normal Operating Torque:  
   0.04 mNm for Flat Key  
   0.08 mNm for Tubular Key  
 » Angle of Throw: 90° for 2-position, 45° for 3-position  
**MATERIALS**  
 » Terminals: Copper with silver plating  
 » Movable Contactor: Copper  
 » Movable Contacts: Silver  
**ENVIRONMENTAL DATA**  
 » Operating Temperature: -25°C through +70°C  
**INSTALLATION**  
 » Mounting Torque: 1.5 Nm max.  
 » Soldering: Manual Soldering 4 sec. max. @ 390°C max.

