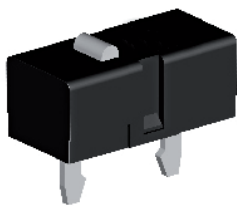


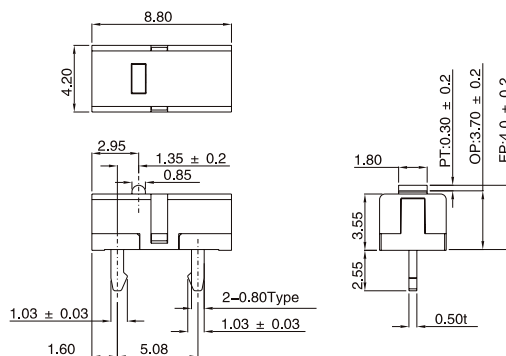
Micro Switches

Ultraminiature Micro Switches

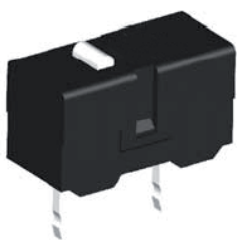
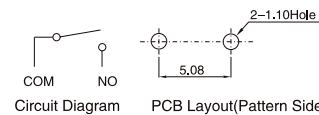
MP8 Series



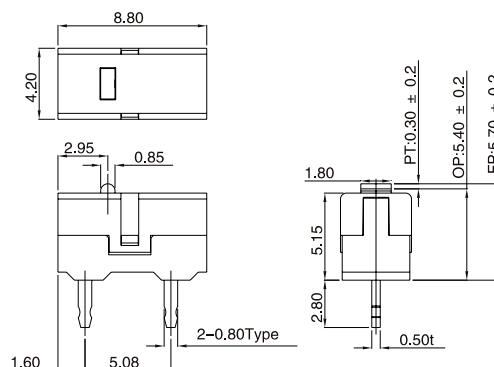
MP8ECE0A40A



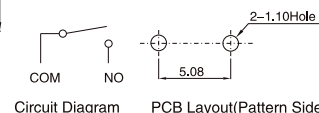
Rating: 50mA 12VDC
 Operating Force: 80±15 gf
 Mechanical Life: 1,000,000 cycles



MP8EEG0A40A



Rating: 50mA 12VDC
 Operating Force: 80±15 gf
 Mechanical Life: 1,000,000 cycles

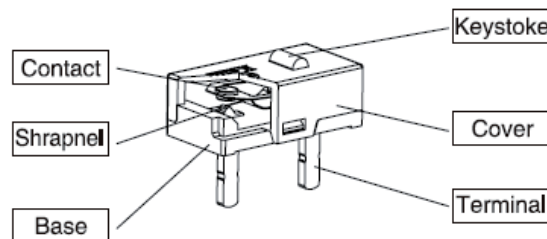


GENERAL SPECIFICATIONS:

- > Rating: 0.1A 30VDC or 50mA 12VDC (See detail specs)
- > Contact Resistance: 100 mΩ Max.
- > Insulation Resistance: 100 MΩ at 500VDC
- > Dielectric Strength: 500VAC for 1 minute
- > Operating Force: See detail specs
- > Operating Life: See detail specs
- > Operating Temperature Range: -25°C to +80°C
- > Ambient Humidity: 85%RH Max.

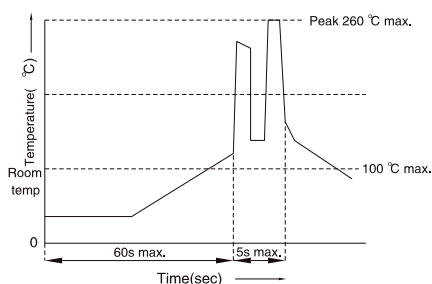
MATERIALS:

- > Base, Cover & Keystroke: Nylon
- > Terminals: Brass silver plating
- > Contact: Silver alloy
- > Reed: Beryllium bronze

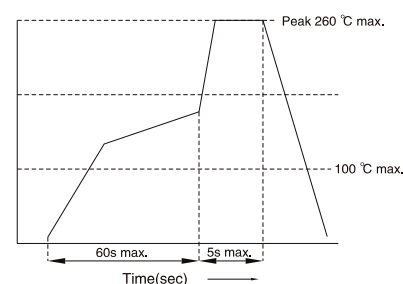


SOLDERING CONDITIONS:

- > Hand Soldering: Use a soldering iron of 30W, controlled at 350°C approximately 3 seconds while solder applying.
- > Wave Soldering: The peak temperature of the wave oven should be set to 260°C Max. 5 sec. Max.
- > Reflow Soldering: The peak temperature of the wave oven should be set to 260°C Max. 5 sec. Max.



Wave Soldering



Reflow Soldering

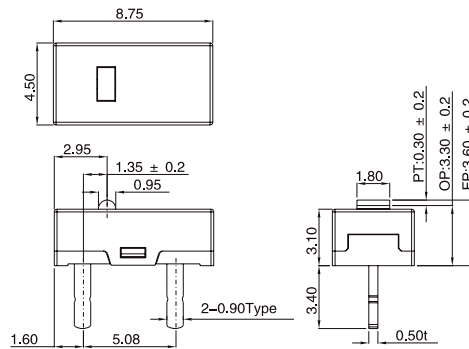
Micro Switches

Ultraminiature Micro Switches

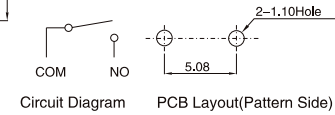
MP8 Series



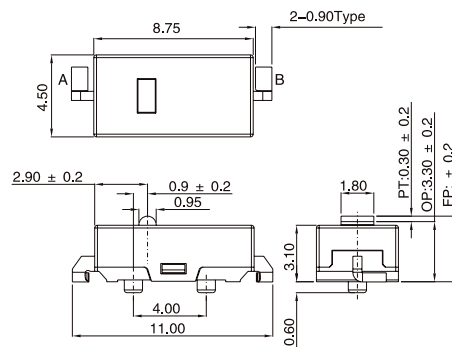
MP8GCA0A40A



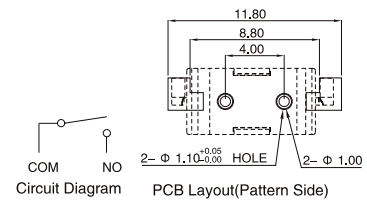
Rating: 0.1A 30VDC
 Operating Force: 50-80 gf
 Mechanical Life: 3,000,000 cycles



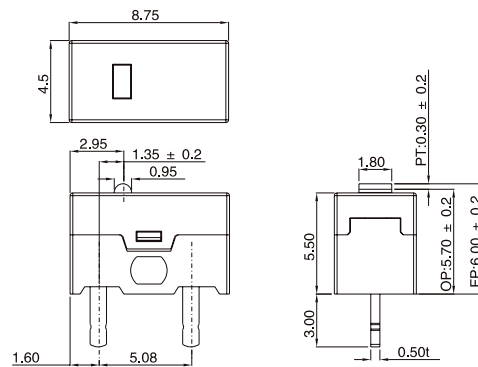
MP8GCA0A190A



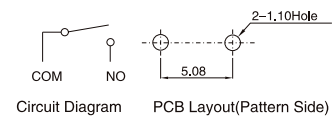
Rating: 0.1A 30VDC
 Operating Force: 50-80 gf
 Mechanical Life: 3,000,000 cycles



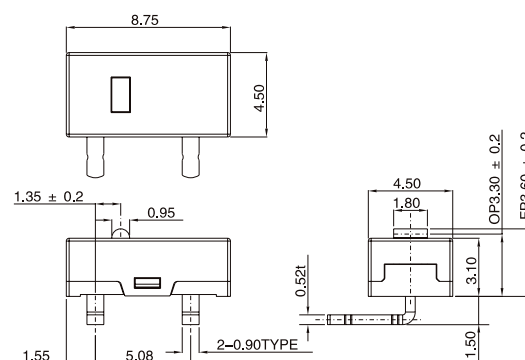
MP8GEE0A40A



Rating: 0.1A 30VDC
 Operating Force: 50-80 gf
 Mechanical Life: 3,000,000 cycles



MP8GCA0A180A



Rating: 0.1A 30VDC
 Operating Force: 60±15 gf
 Mechanical Life: 3,000,000 cycles

