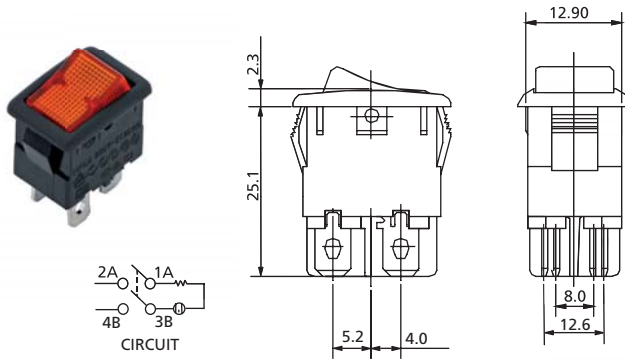


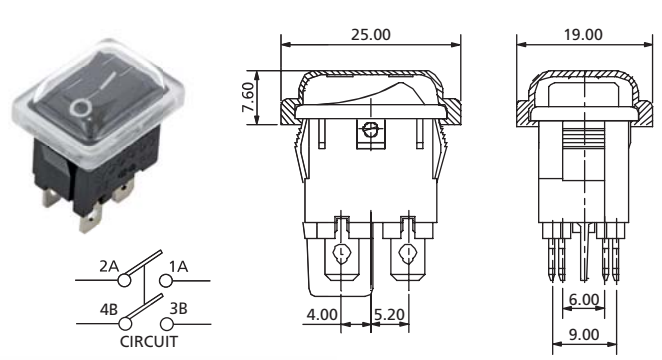
Rocker Switches

21 x 15 mm Rocker Switches

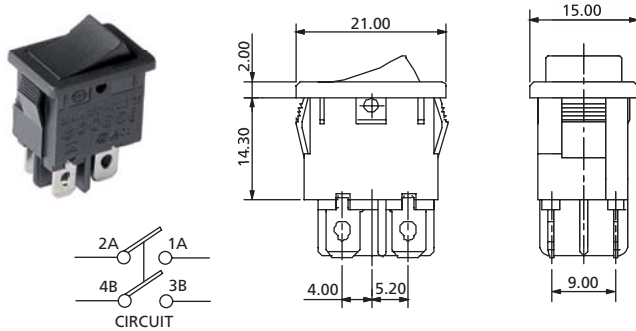
RK2 Series



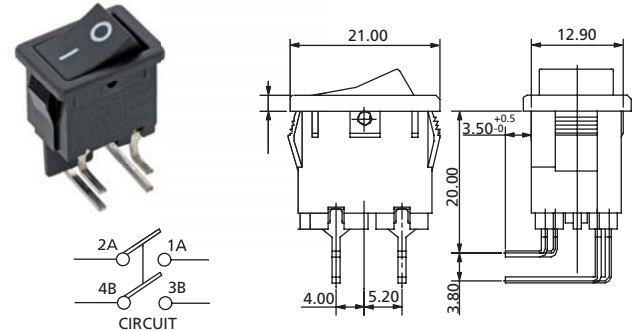
RK2DL1Q4__N Soft Outlook; Cross Barrier



RK2DN1Q4__W with Waterproof Cover



RK2DN1QC4__N with Cross Barrier



RK2DN1R4__N THT Terminals Right Angle

TERMINAL	ACTUATOR	ACTUATOR MARKING	PANEL SIZE												
Q 4.8mm TAB, 0.8mm Thick D Solder Tag R Thru Hole Right Angle H Thru Hole Straight	4 Curve SIZE 	A B OFF ON C D E F	 <table border="1"> <thead> <tr> <th>X (Panel thickness)</th> <th>Dimension Y</th> <th>Dimension Z</th> </tr> </thead> <tbody> <tr> <td>0.75 to 1.25 mm</td> <td>19.20 +0.1/-0 mm</td> <td>12.90 +0.15/-0 mm</td> </tr> <tr> <td>1.25 to 2 mm</td> <td>19.40 +0.1/-0 mm</td> <td>12.90 +0.15/-0 mm</td> </tr> <tr> <td>2 to 3 mm</td> <td>19.80 +0.1/-0 mm</td> <td>12.90 +0.15/-0 mm</td> </tr> </tbody> </table>	X (Panel thickness)	Dimension Y	Dimension Z	0.75 to 1.25 mm	19.20 +0.1/-0 mm	12.90 +0.15/-0 mm	1.25 to 2 mm	19.40 +0.1/-0 mm	12.90 +0.15/-0 mm	2 to 3 mm	19.80 +0.1/-0 mm	12.90 +0.15/-0 mm
X (Panel thickness)	Dimension Y	Dimension Z													
0.75 to 1.25 mm	19.20 +0.1/-0 mm	12.90 +0.15/-0 mm													
1.25 to 2 mm	19.40 +0.1/-0 mm	12.90 +0.15/-0 mm													
2 to 3 mm	19.80 +0.1/-0 mm	12.90 +0.15/-0 mm													

How to order:

RK2

- 1** **POLES:**
S Single Pole (SP)
D Double Poles (DP)
- 2** **ILLUMINATION:**
N No illuminated
L Illuminated
- 3** **SWITCHING:**
1 ON - OFF
- 4** **TERMINAL (See above drawings):**
Q 4.8mm TAB, 0.8mm THICK
QC 4.8mm TAB, 0.8mm THICK with Cross Barrier
D Solder Tag
R Thru Hole Right Angle
H Thru Hole Straight
- 5** **ACTUATOR (See above drawings):**
4 Curve
- 6** **ACTUATOR MARKING:**
A See above drawings
B See above drawings
C See above drawings
D See above drawings
E See above drawings
F See above drawings
- 7** **BASE COLOR:**
A Black
H Grey
B White
- 8** **ACTUATOR COLOR:**
A Black H Grey B White
F Green D Orange C Red
E Yellow
- 9** **WATERPROOF COVER:**
N None Cover (Standard)
W With Waterproof Cover

General Specifications:

FEATURES

- » Single & double poles rocker switch up to 10(4)A 250VAC

MATERIALS

- » Movable Contact Arm: Phosphorus bronze
- » Contact: Silver alloy
- » Terminal: Silver plated copper

MECHANICAL

- » Temperature Range: -20°C to +125°C

ELECTRICAL

- » Electrical Life: 10,000 cycles
- » Rating: 12A125VAC, 10A250VAC 1/4HP
10A125VAC, 8A250VAC 1/4HP
10A250VAC
10(4)A250V-T125/55
- » Initial Contact Resistance: 20mΩ max.
- » Insulation Resistance: 100MΩ min. at 500VDC