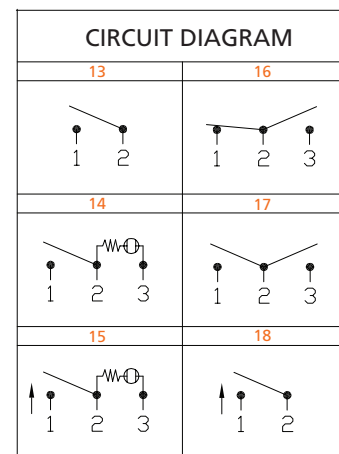
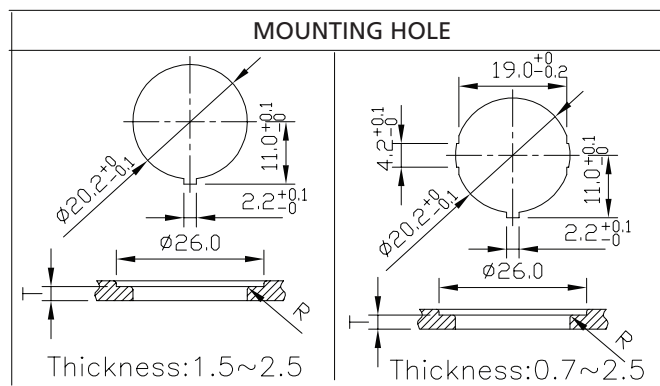
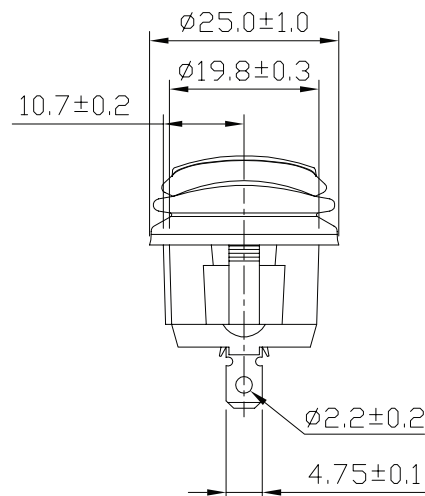
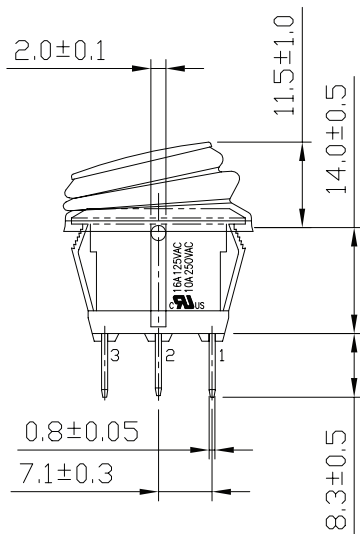
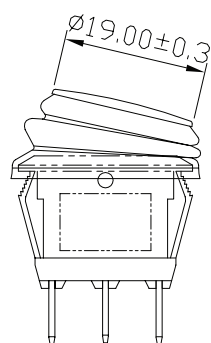
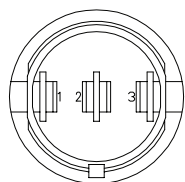
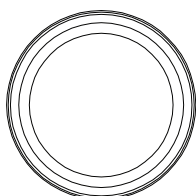


Rocker Switches

SP Waterproof Rocker Switch

RK66R Series



How to order:

RK66R 1 2 3 35

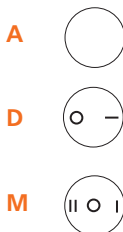
FUNCTIONS

- 13 2P SPST ON-OFF
- 14 3P SPST ON-OFF (Illuminated)
- 15 3P SPST MOM-OFF (Illuminated)
- 16 3P SPDT ON-ON
- 17 3P SPDT ON-OFF-ON
- 18 2P SPST MOM-OFF

TERMINATION

112		187SQ
113		PC
114		Solder

ACTUATOR SHAPE



ROHS

35 RoHS Compliant

General Specifications:

FEATURES

- » Round rocker switch
- » Single pole
- » Illuminated or non-illuminated
- » IP 65

MATERIALS

- » Contacts: Silver alloy
- » Frame: Nylon66 (94-V2)- Black
- » Actuator: PC (94-V2)- Black
- » Terminals: Copper alloy
- » Lamp: Neon 125VAC 33KΩ/250VAC 150KΩ
- » Waterproof Rubber: Silicone

MECHANICAL

- » Temperature Range: -25°C to +85°C

ELECTRICAL

- » Electrical Life: 10,000 cycles
- » Rating: 16A125VAC, 10A250VAC, 20A 14VDC, 10A 28VDC
- » Dielectric Strength: 1500VAC 1 min.
- » Contact Resistance: 50mΩ max.
- » Insulation Resistance: 100MΩ min. at 500VDC
- » Operation: 400±100g