

Rocker Switches

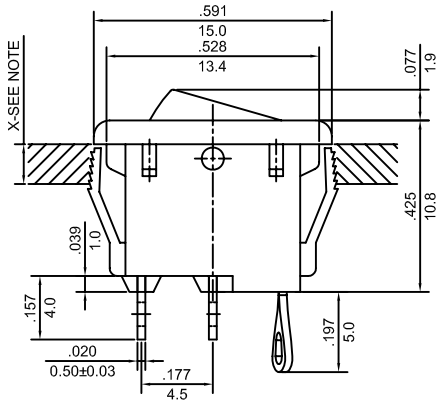
Ultra Small Rocker Switch with LED Illumination

RK8L Series

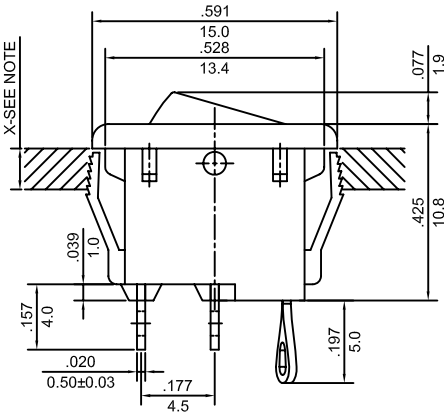
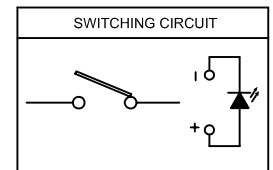
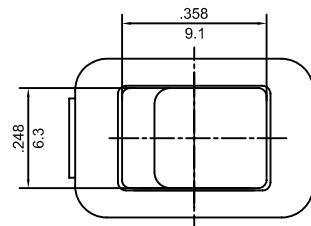
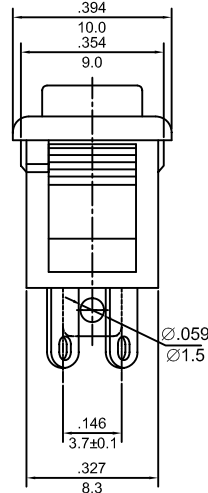


GENERAL SPECIFICATIONS:

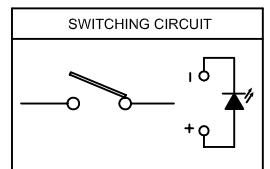
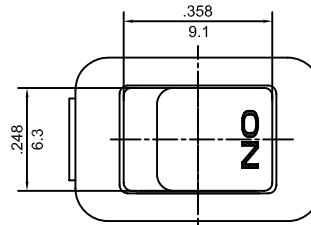
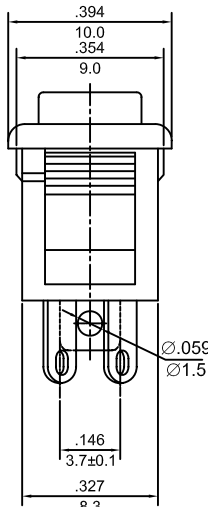
Rating: 3A250VAC
 6A125VAC
 3A250VAC ~μT100
 Initial Contact Resistance: 20 mohm MAX.
 Insulation Resistance: 100 Mohm MIN. at 500VDC
 Dielectric Strength: 1,000VAC for 1 Minute



RK8LS_DTL_L0_000



RK8LS1DF_L0_B2T



How to order:

NOTE: 1. TOLERANCES UNLESS OTHERWISE SPECIFIED: $\pm \frac{.012}{0.3}$ (in/mm)
 2. X MEANS FOR APPLICATION PANEL THICKNESS MUST BE UNDER 2.5mm

RK8L 1 2 3 4 5 6 7 8 9 10 11

1 NO. OF POLES

S Single Pole

2 SWITCHING FUNCTION

- 1 ON-OFF
- 2 ON-ON
- 3 MOM-OFF

3 TERMINAL TYPE

D Solder Tag

4 ACTUATOR TYPE

- F Flat Rocker
- P High Paddle

5 ACTUATOR COLOR

- T Transparent
- A Black B White C Red
- F Green G Blue D Orange

6 ILLUMINATION TYPE

- N No Illumination
- LL Full Illumination (Transp. Actuator)
- L0 Illuminated Laser Icon

L1 (Flat Rocker)

L2 (Flat Rocker)

L3 (High Paddle)

7 LED COLOR

- N No Illumination
- C Red (1.9-2.2V)
- D Orange (1.9-2.2V)
- E Yellow (1.9-2.2V)
- B White (2.8-3.2V)
- G Blue (2.8-3.2V)
- F Green (2.8-3.2V)

8 LEGEND TYPE

- O No Legend
- P Normal Printing
- B Baled Printing with Laser Icon

9 LEGEND

- 0 1
- 2 3
- 4 5

10 LEGEND COLOR

- O No Legend
- A Black
- B White
- T Transparent

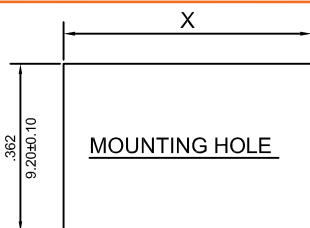
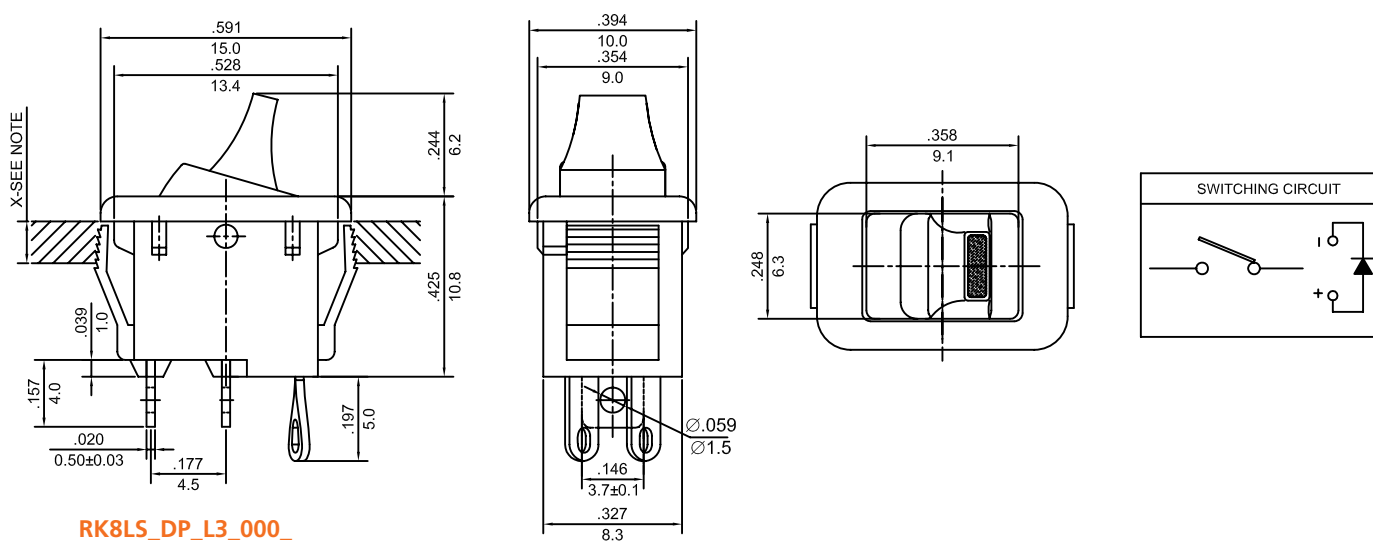
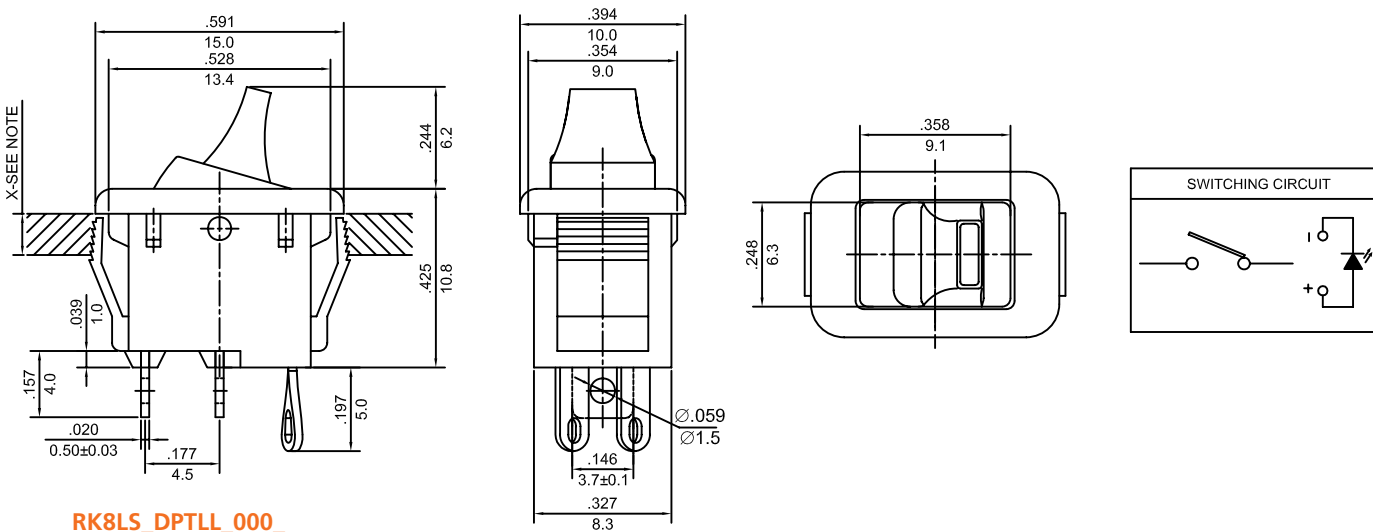
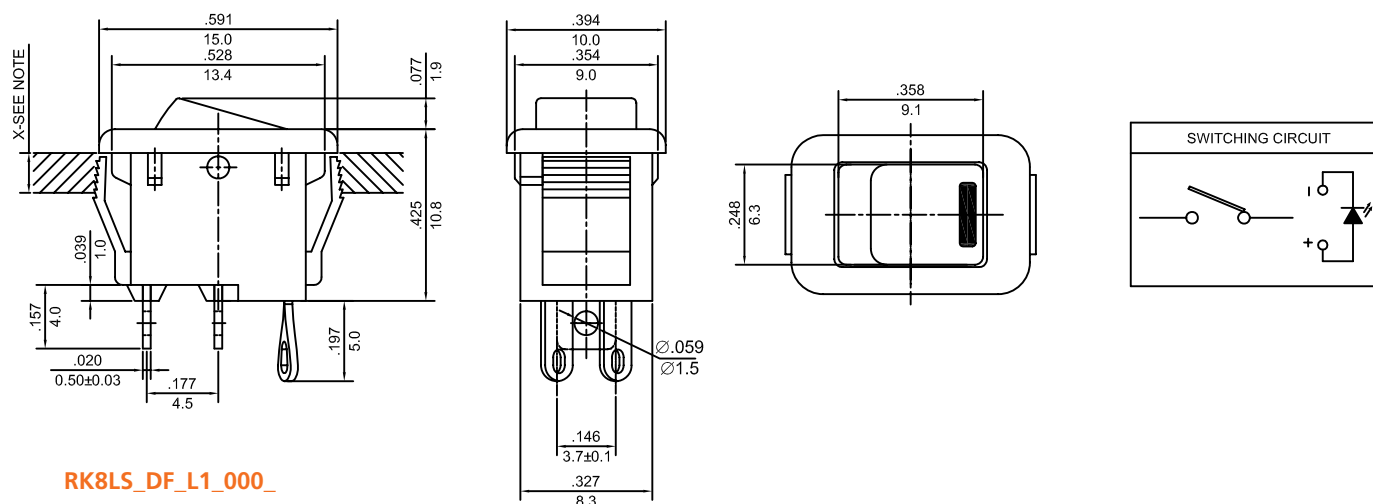
11 BASE COLOR

- A Black (Standard)
- B White
- C Red

Rocker Switches

Ultra Small Rocker Switch with LED Illumination

RK8L Series



	X Cutout Dimension	Panel Thickness
A	.535/13.6 +0.00 -0.10	0.75~1.25
B	.539/13.7 +0.00 -0.10	1.25~2.00
C	.543/13.8 +0.00 -0.10	2.00~2.50