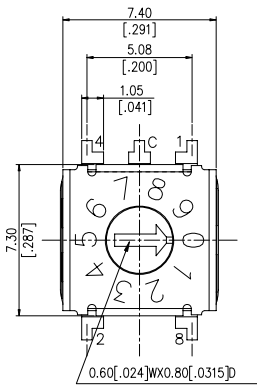


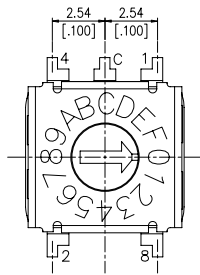
# Rotary Switches

## 7x7 mm Rotary DIP Switch with central C-pin

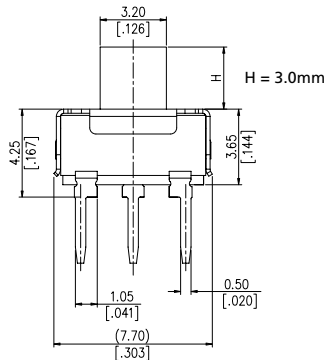
## RD18 Series



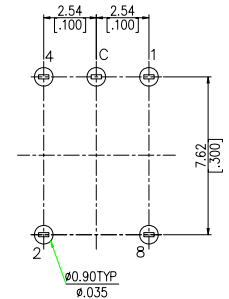
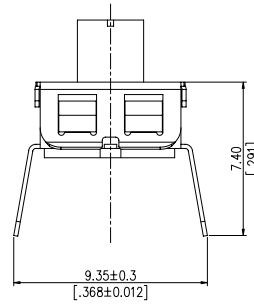
RD18T3\_10RHTB



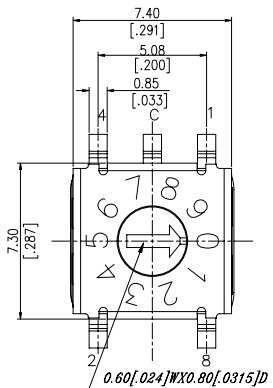
RD18T3\_16RHTB



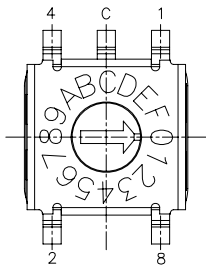
RD18T3H\_RHTB



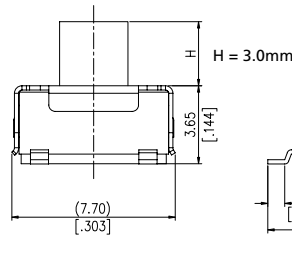
P.C.B. LAYOUT



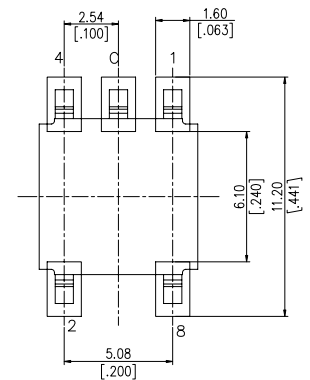
RD18S3\_10RH\_



RD18S3\_16RH\_



RD18S3H\_RH\_



P.C.B. LAYOUT

TYPE	POSITION □□R	CODE			
		1	2	4	8
10 STEP	0	●	●	●	●
	1	○	●	●	●
	2	●	○	●	●
	3	○	○	●	●
	4	●	●	○	●
	5	○	●	○	●
	6	●	○	○	●
	7	○	○	○	●
	8	●	●	●	○
	9	○	●	●	○
16 STEP	A	●	○	●	○
	B	○	○	●	○
	C	●	●	○	○
	D	○	●	○	○
	E	●	○	○	○
	F	○	○	○	○

### SPECIFICATIONS:

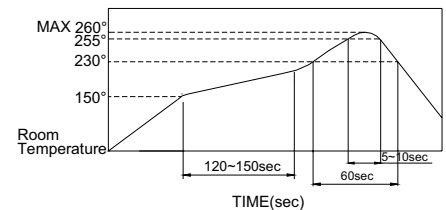
- > Operating Force: 200gf-cm Max.
- > Operating temperature range: -40°C to +85°C
- > Electrical Life: 20,000 cycles
- > Switching Rating: 25mA 24VDC
- > Contact Resistance: 100m ohm initial; 200m ohm (final-after test)
- > Insulation Resistance: 100M ohm Min. at 250VDC
- > Dielectric Strength: 250VAC for 1 minute

### MATERIALS:

- > Base: High-temp Thermoplastic UL94V-0, black
- > Actuators: High-temp Thermoplastic UL94V-0, white
- > Contact: Alloy Copper with Gold plated
- > Terminals: Brass with Gold plated
- > Cover: Stainless Steel
- > Seal; Silicone Rubber red
- > Spring Plate: Stainless Steel

### SOLDERING:

- > Hand Soldering: Soldering iron of 30W, 350°C 5 sec. Max.
- > Wave Soldering: 260°C 5 sec. Max. (THT)
- > Reflow Soldering (SMT): See drawing.



## How to order:

RD18

**1 TYPE OF TERMINALS:**  
**S** Surface Mounting Type  
**T** Thru Hole Type

**2 TYPE OF PINOUT:**  
**3** 3x2

**3 ACTUATOR TYPE:**  
**R** Recessed Actuator  
**H** High Actuator(H=3.0mm)

**4 NO. OF POSITIONS:**  
**10** 10 Positions  
**16** 16 positions

**5 CODE:**  
**R** Real Code

**6 Materials**  
**H** Halogen Free

**7 PACAGING TYPE**  
**TB** Tube  
**TR** Tape & Reel( RD18S only)