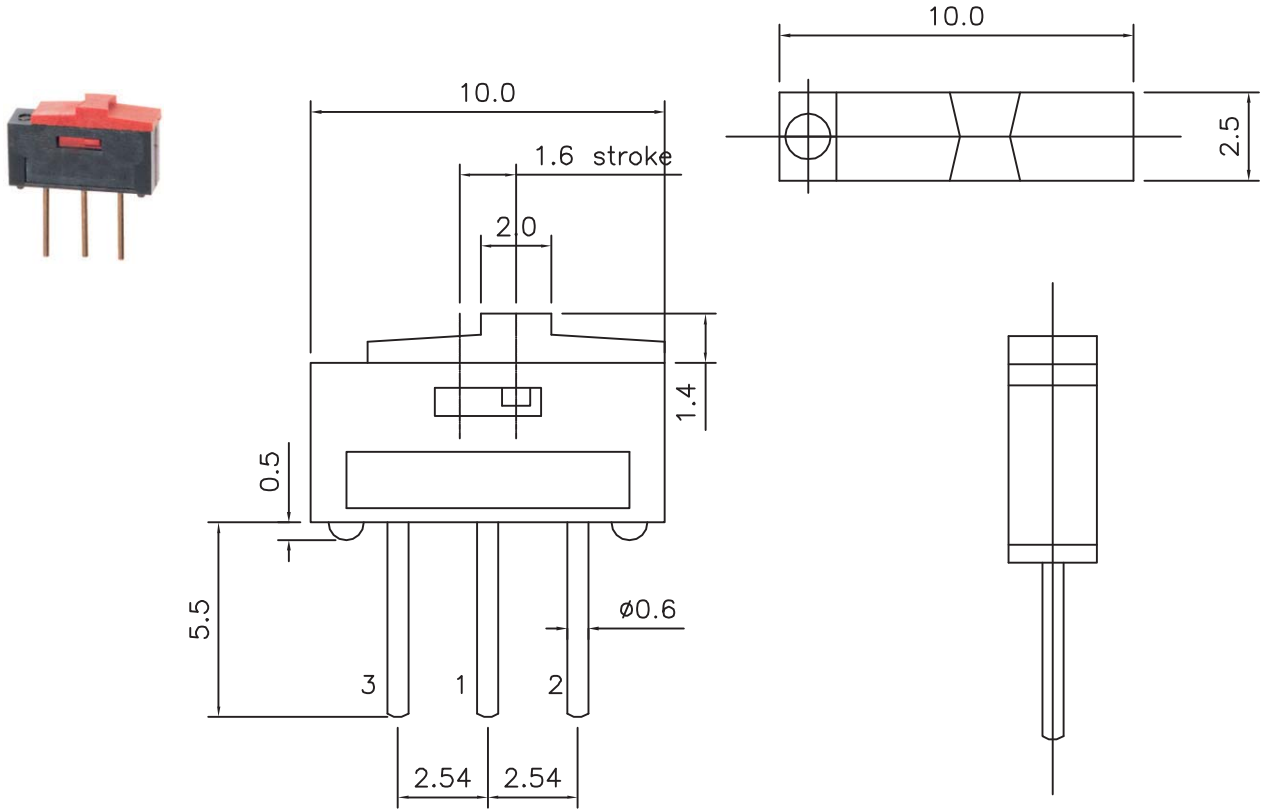


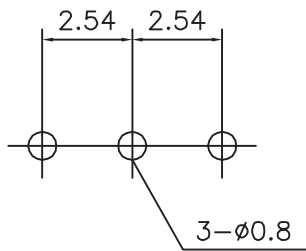
Slide Switches

Mini Slide Switches / Attenuator

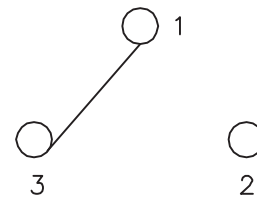
SBS254H06



P.C.B DIMENSION



CIRCUIT



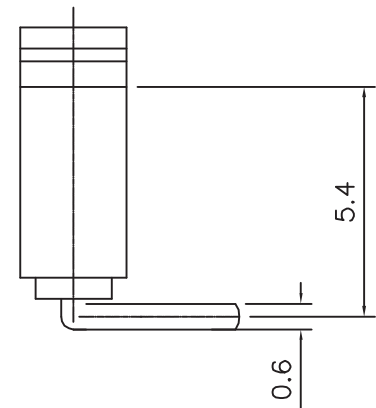
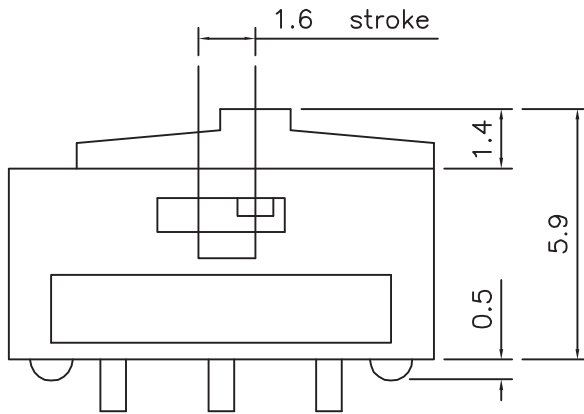
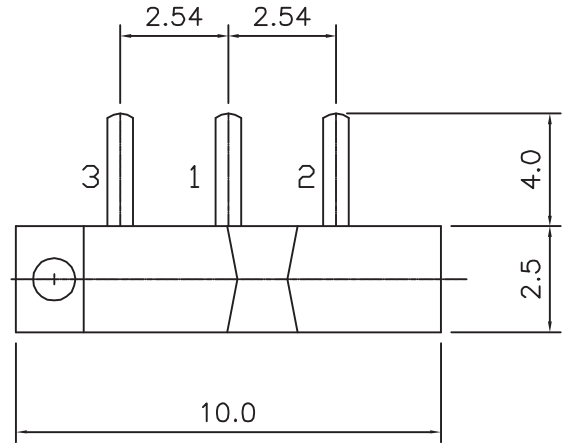
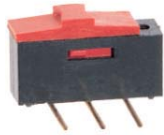
PART NO		PART NAME		Q'TY		STANDARD		DISPOSITION			
				TRIGON-OMETRY	UNIT mm			MATERIAL	MAKER	DEAL	REMARKS
				APPD	CHKD	DSGD	MODEL	Mini Slide Switches			
				GP	DX	LXH	PART NAME				
DATA		CORREXTION						SBS254H06			

All specifications are restricted to OA test criteria.
DRW: D.L. JIN, CHK: D.F. LEE, APP: H.Z. QIU

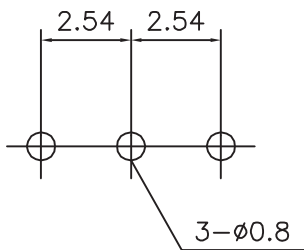
Slide Switches

Mini Slide Switches / Attenuator

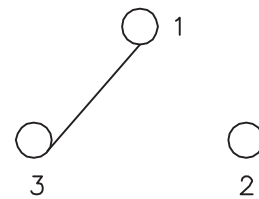
SBR254H06



P.C.B DIMENSION



CIRCUIT



PART NO		PART NAME		Q'TY	UNIT		STANDARD	DISPOSITION		
				TRIGON- OMETRY	mm		MATERIAL	MAKER	DEAL	REMARKS
				APPD	CHKD	DSGD	MODEL			
				GP	DX	LXH	Mini Slide Switches			
							PART NAME			
DATA		CORREXTION					SBR254H06			

GENERAL SPECIFICATION

MODEL

SBR254H06

1. Electrical Characteristics.
 - 1-1. Rating : AC, DC 12V 0.5A~24V 0.3A. (Minimum current: 1mA)
 - 1-2. Contact Resistance : Max 30mΩ
 - 1-3. Insulation Resistance : Min 10,000MΩ, at DC 500V
 - 1-4. Withstanding Voltage : 1min at AC 500V
2. Mechanical Characteristics.
 - 2-1. Operating Force : Max 800gf
 - 2-2. Angle of Lever Throw
 - 2-3. Insulator
 - 2-3-1. Case : Glass Fiber Reinforce Polyamide (UL94 V-0)
 - 2-3-2. Slide : Glass Fiber Reinforce Polyamide (UL94 V-0)
 - 2-4. Terminal : Nickel(Ni 0.2μ) Gold Plate(Au 0.05μ)
3. Life Test.
 - 3-1. Test Condition : Operations at a rate of 15-20Cycle 1minute
 - 3-1-1. with load : 1,000 Cycles
 - 3-1-2. without load : 1,000 Cycles
 - 3-2. Operating Force : With +10%, -40% of Initial Value
 - 3-3. Contact Resistance : Max 30mΩ
4. Environmental Characteristics.
 - 4-1. Operating Temperature : -40℃ to +85℃
 - 4-2. Storage Temperature : -40℃ to +85℃
 - 4-3. Humidity Test
 - 4-3-1. Test Conditions : Measured 1Hour After Exposure to Ambient
After 96Hour Exposure at 40±2℃, 90-95%R.H
 - 4-3-2. Insulation Resistance : Min 10,00MΩ, at DC 500V
 - 4-3-3. Withstanding Voltage : 1min at AC 500V
 - 4-4. Saline Spray Test : 24 hours
5. Solder Conditions.
 - 5-1. Within 5 sec. at 270℃
6. RoHS Compliant