

Slide Switches

1P2T/2P2T Slide Switches

SB40 Series

General Specifications



MATERIALS

- » Cover: Stainless steel
- » Base & Stem: LCP High-temp thermoplastic in black color
- » Contact: Alloy copper
- » Terminals: Brass



MECHANICAL

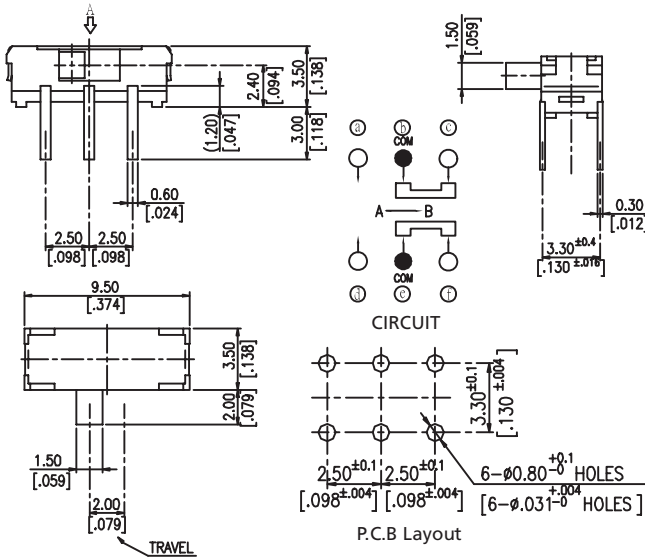
- » Mechanical Life: 10,000 cycles
- » Operating Force: 200±150 gf
- » Operating Temperature: -20°C to +70°C
- » Storage Temperature: -20°C to +70°C

ELECTRICAL

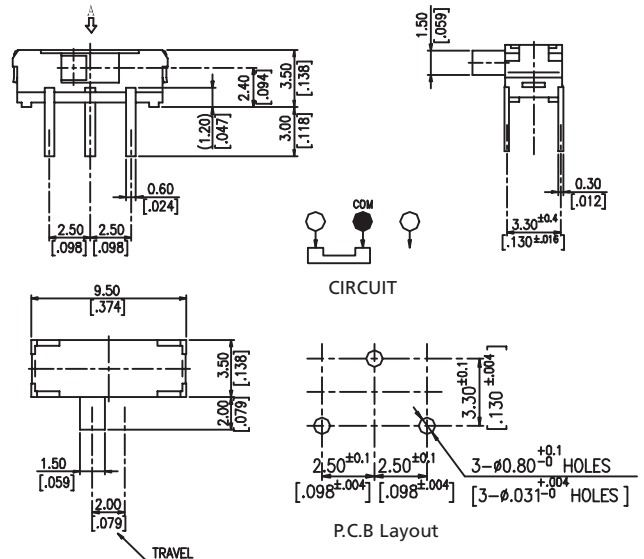
- » Electrical Life: 10,000 cycles
- » Non-Switching Rating: 100mA, 50VDC
- » Switching Rating: 25mA, 24VDC
- » Contact Resistance: 100mΩ max.
- » Insulation Resistance: 100MΩ min. (500VDC)

SOLDERING PROCESSES

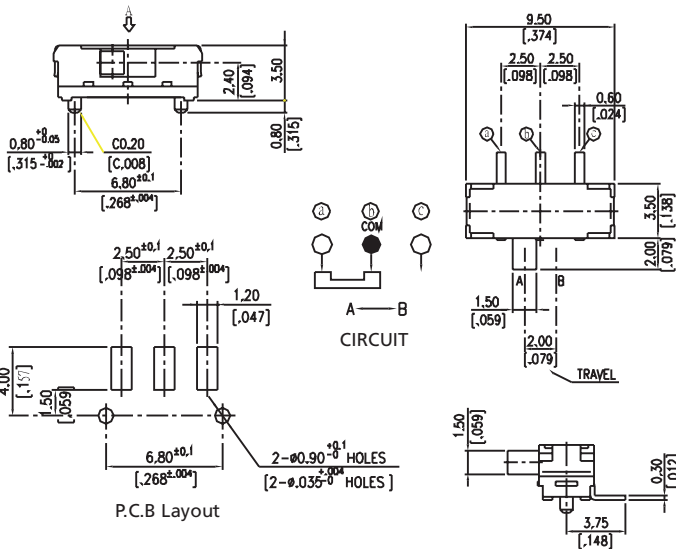
- » Hand Soldering: 30 watts, 350°C, 5 sec.
- » Reflow Soldering (SMT Terminals): 260°C



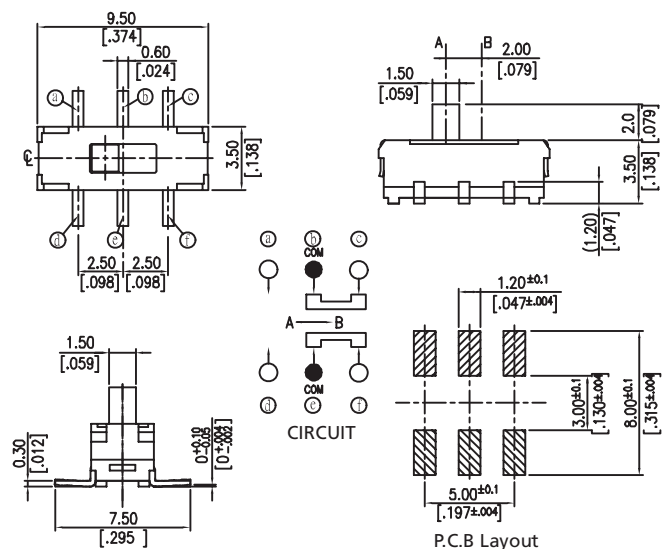
SB40H2... Horizontal THT, 2P2T



SB40H1... Horizontal THT, 1P2T



SB40S1_1... Horizontal SMT, 1P2T, with Pilot



SB40S2_1... Vertical SMT, 2P2T, with Pilot

How to order:

SB40

- | | | | | |
|--|--|---|--|---|
| <p>1 SLIDE FUNCTION:</p> <p>H Horizontal THT Slide</p> <p>SH Horizontal SMT Slide (only for 1P2T)</p> <p>SM Vertical SMT Slide</p> <p>2 PINS:</p> <p>1 1P2T</p> <p>2 2P2T</p> | <p>3 TERMINALS LENGTH (Only for THT Terminals):</p> <p>N 3.0 mm (Standard)</p> <p>S 0.9 mm</p> <p>K 1.0 mm</p> <p>M 1.5 mm</p> <p>G 1.8 mm</p> <p>L 2.2 mm</p> <p>V 2.5 mm</p> | <p>4 STEM LENGTH (Only for Horizontal Slide Type)</p> <p>40 4.0mm</p> <p>32 3.2mm</p> <p>5 PILOT:</p> <p>C Without Pilot (only for SB40H/SM)</p> <p>P Base with Pilot</p> | <p>6 STEM DIRECTION:</p> <p>L Stem on the Left</p> <p>R Stem on the Right</p> <p>7 ROHS & LEAD FREE</p> <p>V RoHs & Lead Free Solderable</p> <p>H Halogen Free</p> | <p>8 PACKAGING:</p> <p>BK Bulk</p> <p>TB Tube (only for SB40H)</p> <p>TR Tape & Reel</p> <p>9 CUSTOMER SPECIALS:</p> <p>According special customer requests:</p> <p>UU Gold plated Terminals and Contacts</p> |
|--|--|---|--|---|

General Tolerance :± 0.2mm