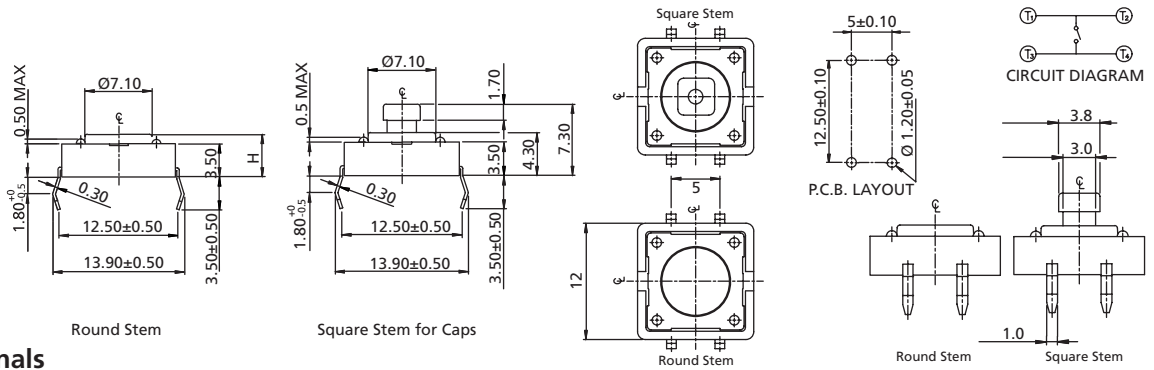


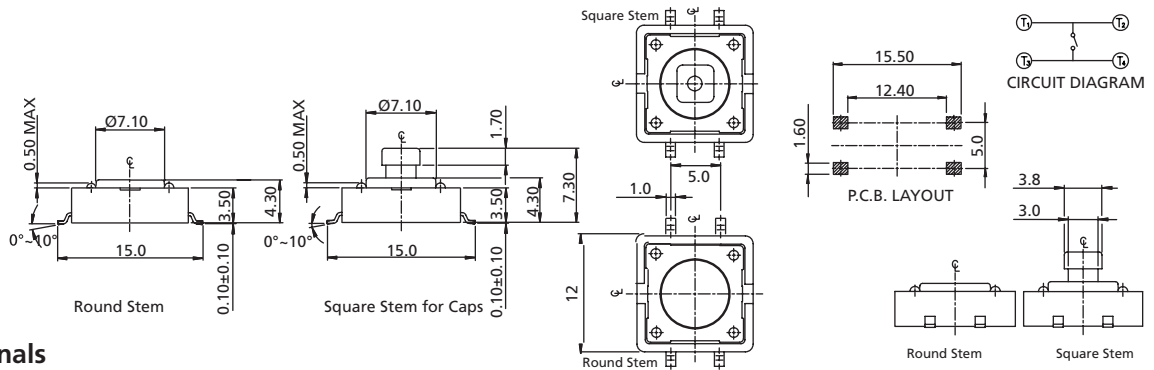
# Tactile Switches

## Standard 12 x 12 mm Tactile Switches

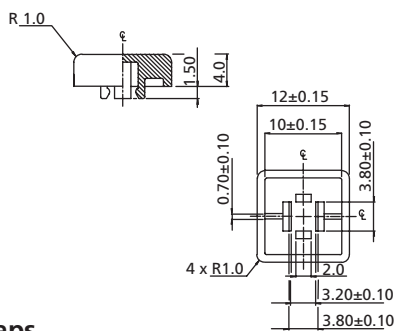
## TP4 Series



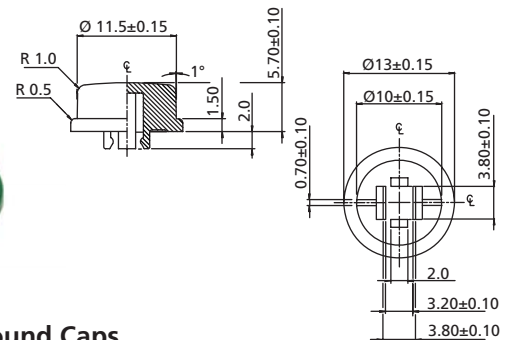
**TP4H** THT Terminals



**TP4S** SMT Terminals



**K12S** Square Caps



**K12R** Round Caps

### How to order:

TP4       +   (Caps)

- |  |                            |
|--|----------------------------|
| <b>1</b> TYPE OF TERMINALS:                  | <b>6</b> PACKAGE STYLE:    |
| H THT  | BK Bulk Pack (TP4H Only)   |
| S SMT  | TB Tube                    |
|  | TR Tape & Reel (TP4S Only) |
| <b>2</b> POST (TP4H only)                    | <b>Optional:</b>           |
| No Code Without Post                         |                            |
| P With Post                                  | <b>7</b> CAP TYPE          |
|  | (Only for Square Stems):   |
| <b>3</b> DIMENSION "H":                      | K12S Square Caps           |
| 1 H=4.3mm (Round Stem)                       | K12R Round Caps            |
| 4 H=7.3mm (Square Stem 3.8mm)                |                            |
| 5 H=8.5mm (Round Stem)                       | <b>8</b> COLOR OF CAPS:    |
| Individual stem heights available by request | A Black                    |
| <b>4</b> STEM COLOR & OPERATING FORCE:       | B Ivory                    |
| K Brown & 160±50gf                           | C Red                      |
| C Red & 260±50gf                             | E Yellow                   |
| J Salmon & 320±80gf                          | F Green                    |
| E Yellow & 520±130gf                         | G Blue                     |
| <b>5</b> MATERIALS OF DOME:                  | H Gray                     |
| N Phosphor Bronze Dome                       | S Salmon                   |
| S Stainless Steel Dome                       |                            |
| (Only for 160gf & 260gf)                     |                            |

### General Specifications:

#### MATERIALS

- » Contact Disc: Phosphor Bronze with silver cladding
- » Terminal: Brass with silver plated

#### MECHANICAL

- » Stroke: 0.35 ± 0.1 mm
- » Operation Temperature: -25°C to +70°C
- » Storage Temperature: -30°C to +80°C

#### ELECTRICAL

- » Electrical Life:
  - Phosphor Bronze Dome: 100,000 cycles for 520gf, 320gf & 260gf
  - 200,000 cycles for 160gf
  - Stainless Steel Dome: 500,000 cycles for 260gf
  - 1,000,000 cycles for 160gf
- » Rating: 50mA, 12VDC
- » Contact Arrangement: 1 pole 1 throw

#### LEADFREE SOLDERING PROCESSES

- » Wave Soldering: Recommended solder temperature at 260°C max. 5 seconds subject to PCB 1.6mm thickness (for THT).
- » Reflow Soldering: When applying reflow soldering, the peak temperature or the reflow oven should be set to 260°C max. 10 seconds (for SMT).